

Stock Code: **63122LEDDL-ABRZ/CLR**

Collection: **Burst**

PRODUCT INFORMATION

Base: 63122 Parent: 63122LEDDL
Mounting Type: Ceiling UPC: 641594230161
Finish: Antique Bronze
Diffuser: Clear

PRODUCT MEASUREMENTS

FIXTURE	BACKPLATE / CANOPY
Length:	Length
Width:	Width:
Diameter 28"	Diameter: 4.75"
Height: 26.5"	Height:
Extension:	
Overall Height: 33-136"	

TECHNICAL SPECIFICATIONS

SPECIFICATIONS

Frame Material: Metal
 Diffuser Material: Glass
 Lamping Type: G9 (Replaceable LED) Jbox: Standard
 Lamping Base: G9 Lamp Wattage: 4.5 W
 Lamp Quantity: 9 Total Wattage: 40.5 W
 Voltage: 120v Lamps Included: Yes

QUALIFICATIONS

Location Rating Dry
 Certification: UL (US/Canada) Listed
 ADA Compliant No Energy Star: No
 JA8 Compliant: No Emergency Lighting: No
 Marine Grade: No Warranty: 1 Year

PHOTOMETRICS

Dimmable: Yes Nominal Lumens 4050 Lm
 CRI: 80 Delivered Lumens: N/A
 CCT: 3000K
 Recommended Dimmers:
 (ELV)LUTRON Diva DVELV-300P; (TRIAC)LUTRON Diva DVCL-153P; (ELV)LUTRON Diva DVELV-303P; (ELV)LUTRON Skylark SELV-300P

Additional Notes:

10 feet of clear cord included

Project Name: _____

Location: _____

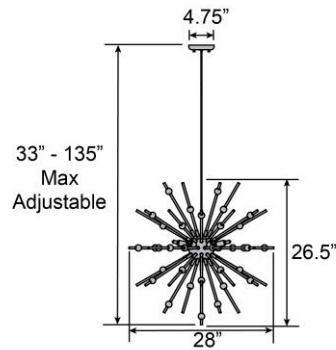
Type: _____

Quantity: _____

Notes: _____



LINE DRAWING



IES FILE

In addition to Access Lighting's purchase and warranty terms and conditions, by signing below or placing an order, you agree that you are authorized to bind the entity placing any order and acknowledge the following: All of sizes and measurements are approximate and all images are for illustrative purposes only. In the event of an inconsistency, the "Product Measurements" section controls. There also may be slight differences in the colors and designs compared to the displayed and printed images.

Signature: _____

Print Name _____ Date: _____

Toll Free 800-828-5483 www.AccessLighting.com

14410 Myford Road, Irvine, CA 92606

